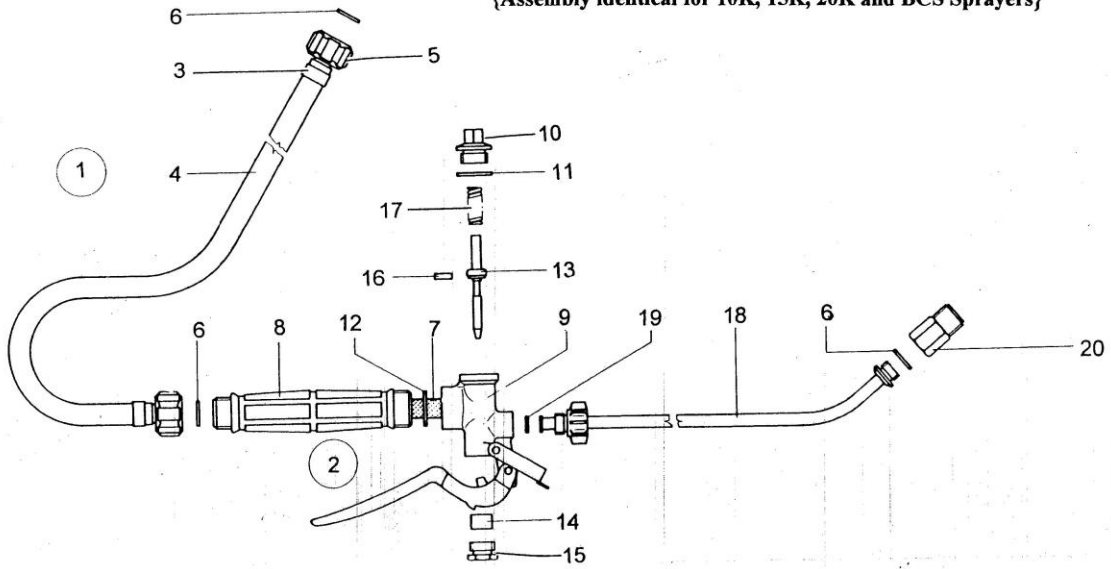


BIRCHMEIER®
Hose Valve and Wand Assembly

{Assembly identical for 10K, 15K, 20K and BCS Sprayers}



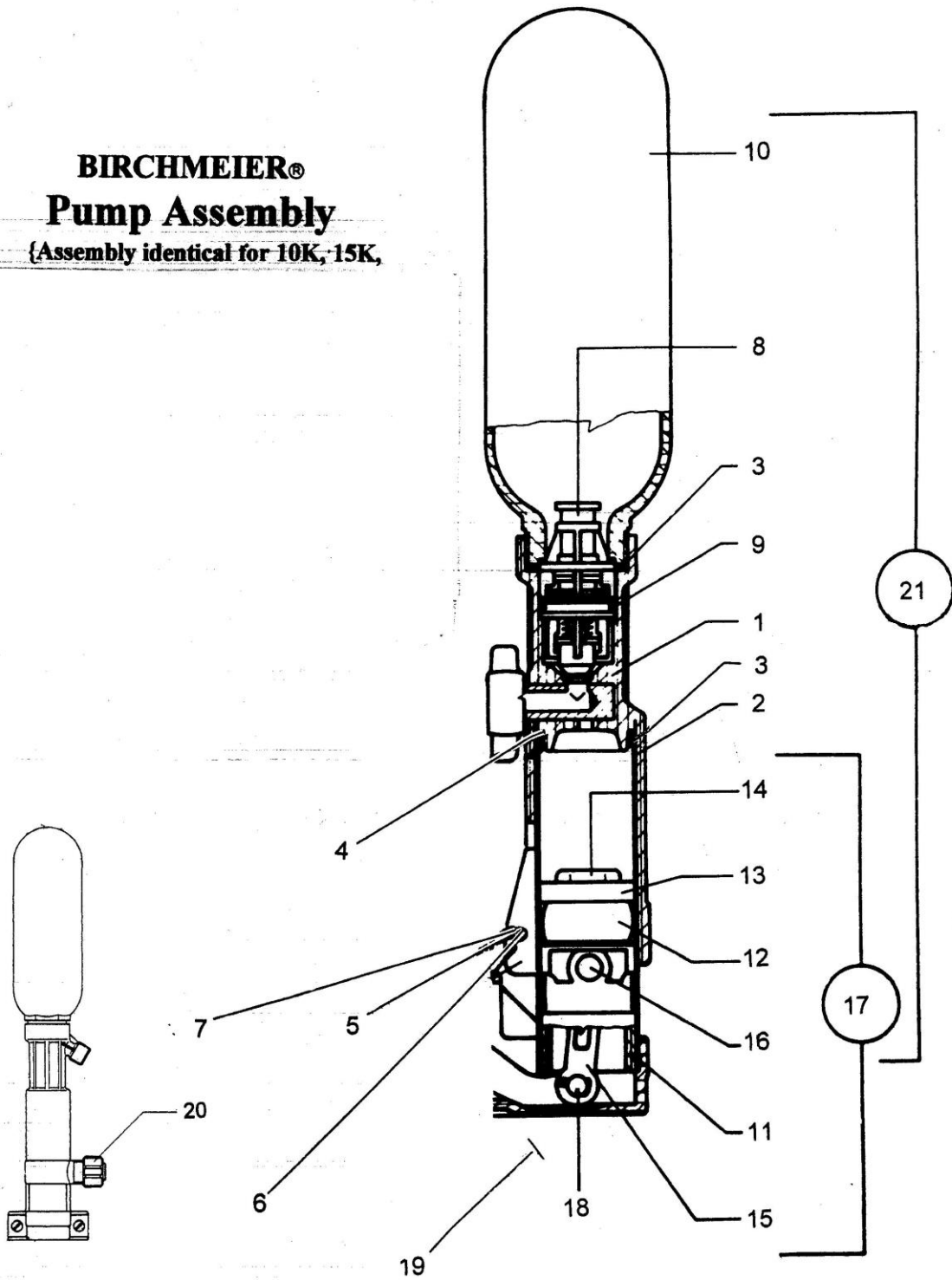
Hose, Valve, and Wand Assembly Parts

IL#	Part#	Description
1	103-960-08	Hose Complete
2	105-040-10	Brass Valve Complete
3	501-345-05	Hose Clamp
4	502-519-10	Hose Only
--	502-519-12	Hose by the Foot
5	103-961-01	Hose Connect w/#23
6	140-080-01	Gasket
7	108-283-01	Handle Filter Screen
8	103-922-01	Black Plastic Handle
9	388-003-95	Brass Valve (w/out handle/filter)
10	425-007-02	Brass Screw Plug
11	140-080-12	Gasket
12	103-011-02	Gasket
13	105-039-01	Valve Stem w/ Gasket
14	148-001-02	Stuffing Box
15	408-004-01	Plug
16	144-005-01	Gasket (for Valve Stem)
17	100-025-01	Valve Spring
18	113-707-01	Curved Brass Wand
19	114-146-06	Gasket
--	114-146-06N	Gasket (Nylon)
20	285-025-98	Brass Adj. Nozzle
--	106-002-01	Valve Repair Kit

Valve Repair Kit contains parts #6(4 ea.), #7, #11, #12, #13, #14 and #19.

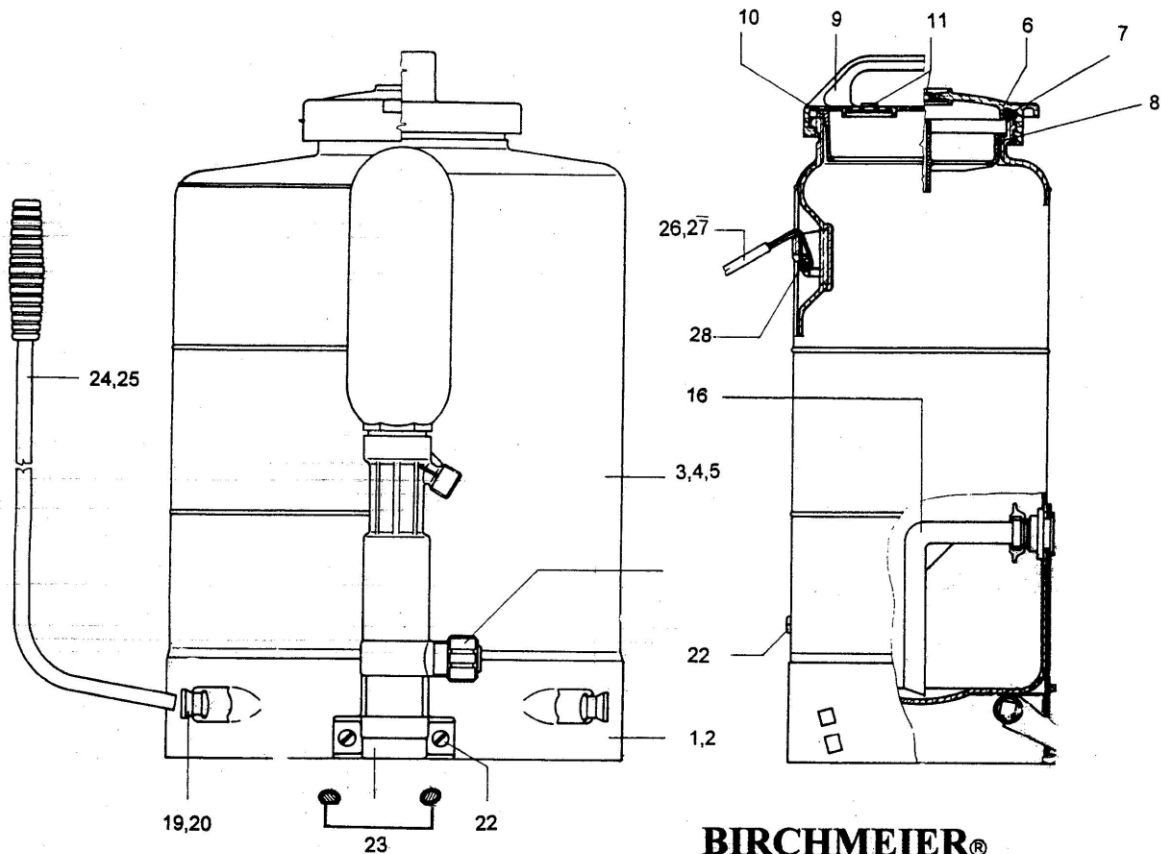
BIRCHMEIER®
Pump Assembly

{Assembly identical for 10K, 15K,

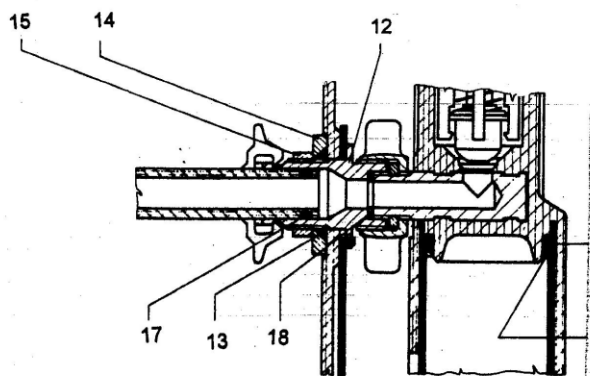


Pump Assembly Parts

IL#	Part#	Description
1	108-037-01	Valve Housing w/ Brass Nut
2	109-146-01	Brass Piston Tube
3	501-170-62	O-ring
4	109-145-01	Backing Ring
5	109-143-01	Steel Holder in Valve Housing
6	501-019-51	Screw for Valve Housing
7	501-113-02	Safety Screw from Valve Housing
8	113-885-01	Check Valve
9	501-170-44	O-ring
10	103-223-01	Air Chamber
11	260-044-99	Piston Only (w/out 12,13,14,16)
12	262-003-01	Piston Plunger
13	440-003-01	Piston Plate
14	410-005-01	Piston Wing Nut
15	109-489-01	Plastic Connecting Rod
16	264-001-01	Piston Pin
17	110-512-03	Piston Complete
18	405-156-01	Connecting Pin (Piston to Pump Shaft)
19	501-188-01	Cotter Pin
20	108-652-01	Grease Piston Cup
21	109-625-01	Pump Complete w/ Piston
--	108-559-01	Pump Repair Kit
--	108-559-01V	Pump Repair Kit in Viton
--	105-173-01	Can of Grease



BIRCHMEIER®
10K (2.64 GAL) 15K (3.96 GAL)
20K (5.28 GAL)
TANK ASSEMBLY



Tank Assembly Parts

IL#	Part#	Description
1	109-445-01	10K Stainless Steel Base Only
2	113-742-01	15K-20K Stainless Steel Base Only
3	114-819-01	10K Tank Only
4	114-820-01	15K Tank Only
5	114-821-01	20K Tank Only
6	103-972-02	10K-15K Lid w/ Gasket
7	144-129-01	Lid Gasket (for 10K-15K)
8	770-096-99	10K-15K Lid Strainer
9	104-891-01	20K Lid
10	104-892-01	20K Lid Strainer/Gasket
11	113-360-01	Lid Flutter Valve (10K,15K,20K)
12	109-507-01	Brass Nipple
13	501-170-35	O-ring
14	442-260-01	Brass Washer
15	412-067-01	Brass Retainer Nut
16	109-623-01	Suction Elbow
17	501-170-19	O-ring
18	144-100-24	Gasket
19	108-163-02	Steel Pump Shaft w/Bearings
21	108-164-01	Casing Base
22	501-019-54	Base Screw
23	501-113-04	Safety Screw for Base
24	108-162-01	Threaded Pump Lever
26	114-449-01	Left Strap
27	114-449-02	Right Strap
--	114-449-05	Set of Straps
28	109-603-01	Strap Fixing Key
--	114-196-01	Wand/Lever Holder